



MAA 1000 & 2000 Technical Datasheet

Mounting assemblies for OPTISENS sensors

- Immersion holder, flow through holder and adapter
- Unique flexible and adjustable telescopic rod for immersion into basin up to 4 m
- Easy to install, convenient to handle

Specially designed mounting assemblies

The **OPTISENS MAA 1000 and 2000** mounting assemblies are specially designed for the usage with **OPTISENS** Sensors from KROHNE. The 1000er line serves the **OPTISENS 1000** sensors in water applications and the 2000er line is used for installation of the **OPTISENS 2000** sensors in waste water applications.



Highlights

- Optimized for usage with **OPTISENS** Sensors
- Immersion holders, flow through holders and adapters available
- Unique immersion holder using a adjustable telescopic rod (up to 4 m) for aeration basins and SBR systems
- Different materials for a broad range of applications (PP, stainless steel etc.)
- Easy to install, everything included
- Special versions and other materials are available on request



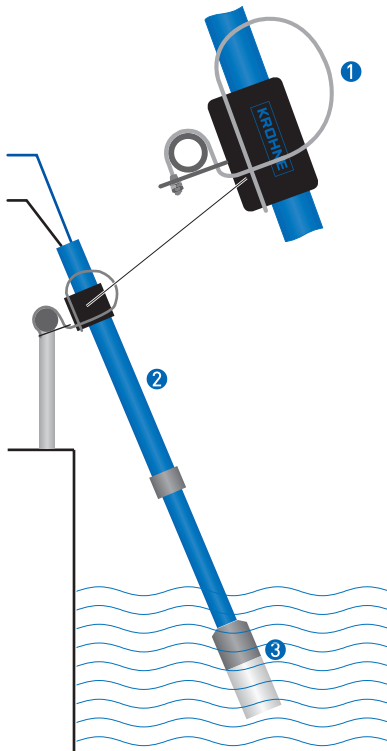
Industries

- Water and waste water industry
- Power plants
- Metal industry and mining
- Paper industry
- Chemical industry

Applications

- Immersion holders for aeration basins and SBR systems
- Flow through holders for in-line installations in pump and sample lines (quality monitoring, process control, sludge treatment)
- Process connection in steam and cooling applications

Options and Accessories



- ① Spring loaded mounting bracket
- ② Telescopic rod plus rod holder
- ③ Sensor adapter

OPTISENS MAA 2000 telescopic rod immersion holders

Specially designed for the usage in waste water treatment facilities; for immersion of **OPTISENS 2000** Sensors into open basins and channels (aeration basins, SBR systems etc.). The telescopic rod is fixed to round or square handrails using the flexible spring loaded mounting bracket. It is extendable up to 4 m / 13.12 ft. The unique telescopic rod mounting contributes a self cleaning effect to the sensor by allowing the sensor to be in constant motion due to the movement of the flowing water.

Optional: Mounting post available for installations without handrails.

Easy to install, everything included

- Telescopic rod plus rod holder
- Sensor adapter
- Spring loaded mounting bracket

Versions

- **MAA 2000** telescopic rod immersion holder extendable to 4 m / 13.12 ft for **OAS/AAS 2000** and **PAM 2080**
- **MAA 2000** Telescopic rod immersion holder extendable to 2.7 m / 8.86 ft for **PAS 2000**



OPTISENS MAA 2000 slide rail immersion holders

- For installation on side walls of basins, flumes and installations with limited space in waste water treatment facilities
- Mounted to the side wall of the basin/channel
- Sensor easily retractable for maintenance
- Adjustable limit stop for correct re-positioning of sensor

Versions

- **MAA 2000** slide rail immersion holder (66 mm / 2.6 ") for **OAS/AAS 2000**
- **MAA 2000** slide rail immersion holder (28 mm / 1.1 ") for **PAS 2000**



OPTISENS MAA 1000 immersion holders

- For immersion of **OPTISENS 1000** sensors into basins and open channels in general water applications

Versions

- **MAA 1000** immersion holder **PAS/AAS 1000**
- **MAA 1000** immersion holder **IAS 1000**



OPTISENS MAA 1000 flow through holders

- For in-line installations in pump and sample lines or directly in the process
- For general water applications and steam & cooling applications
- Available in PP and stainless steel

Versions

- **MAA 1000** Flow through holders for **OPTISENS 1000** sensors in PP
- **MAA 1000** Flow through holders for **OPTISENS 1000** sensors in stainless steel (requires **MAA 1000** adapters)
- Other materials and different process connections on request



OPTISENS MAA 1000 adapters

- For process connection of **OPTISENS 1000** sensors (e.g. to sample lines in steam & cooling applications)
- For connection of **OPTISENS 1000** sensors to the **MAA 1000** stainless steel flow through holders
- Material: stainless steel

Versions

- **MAA 1000** Adapter **OPTISENS 1000**, G 1 1/4"
- **MAA 1000** Adapter **OPTISENS 1000**, MNPT

Technical Data

OPTISENS MAA 2000 telescopic rod immersion holders

Sensor type	OPTISENS AAS 2000 / OAS 2000 / PAM 2080	OPTISENS PAS 2000
Installation conditions		
Mounting of immersion holder	Round handrails Ø 32...50 mm / 1.26...1.97"	Round handrails Ø 32...50 mm / 1.26...1.97"
	Square handrails 28...42 mm / 1.1...1.65"	Square handrails 28...42 mm / 1.1...1.65"
Immersion depth	4 m / 13.12 ft	2.7 m / 8.86 ft
Sensor connection	66 mm / 2.6" adapter	28 mm / 1.1" adapter
Process connection	Basins / open channels	Basins / open channels
Process pressure	Unpressurized	Unpressurized
Materials		
Telescopic rod	Fiber glass	Fiber glass
Sensor adapter	PVC	PVC
Mounting bracket	SS2343	SS2343
Rod holder	PVC	PVC

OPTISENS MAA 2000 slide rail immersion holders

Sensor type	OPTISENS AAS 2000 / OAS 2000 / PAM 2080	OPTISENS PAS 2000
Installation conditions		
Mounting of immersion holder	Side wall of basins / open channels	Side wall of basins / open channels
Immersion depth	Submersible	Max. 300/800 mm (11.81/31.5") ①
Sensor connection	66 mm / 2.6" adapter	28 mm / 1.1" adapter
Process connection	Basins / open channels	Basins / open channels
Process pressure	Unpressurized	Unpressurized
Materials	Stainless steel	Stainless steel

① 800 mm / 31.5" for PAS 2000 sensors with 1 m / 3.28 ft length

OPTISENS MAA 1000 immersion holders

Sensor type	OPTISENS CAS 1000	OPTISENS IAS 1000	OPTISENS PAS 1000 / AAS 1000 dissolved oxygen sensor
Installation conditions			
Mounting of immersion holder	–	Side wall of basins / open channels	Side wall of basins / open channels ①
Immersion depth	–	Submersible	Submersible
Sensor connection	–	G ½"	PG 13.5
Process connection	–	Basins / open channels	Basins / open channels
Process pressure	–	Unpressurized	Unpressurized
Process temperature	–	Max. 90°C / 194°F	Max. 90°C / 194°F
Materials	–	PP	PP

① Immersion holders only for AAS 1000 dissolved oxygen sensor. Chlorine sensors require flow through installations.

OPTISENS MAA 1000 flow through holders – Material PP

Sensor type	OPTISENS CAS 1000	OPTISENS IAS 1000	OPTISENS PAS 1000 / AAS 1000 dissolved oxygen sensor / AAS 1000 free chlorine sensor
Installation conditions			
Sensor connection	G ¾"	G ½"	PG 13.5
Process connections	Screw fitting, G 1 or Welded sleeve d32/DN 25	Welded sleeve, DN 40	Screw fitting, G 1 or Welded sleeve d32/DN 25
Process pressure	10 bar (20°C)	10 bar (20°C)	10 bar (20°C)
Process temperature	Max. 90°C / 194°F	Max. 90°C / 194°F	Max. 90°C / 194°F
Flow direction	180°	180°	180°
Materials	PP	PP	PP

OPTISENS MAA 1000 flow through holders – Material stainless steel

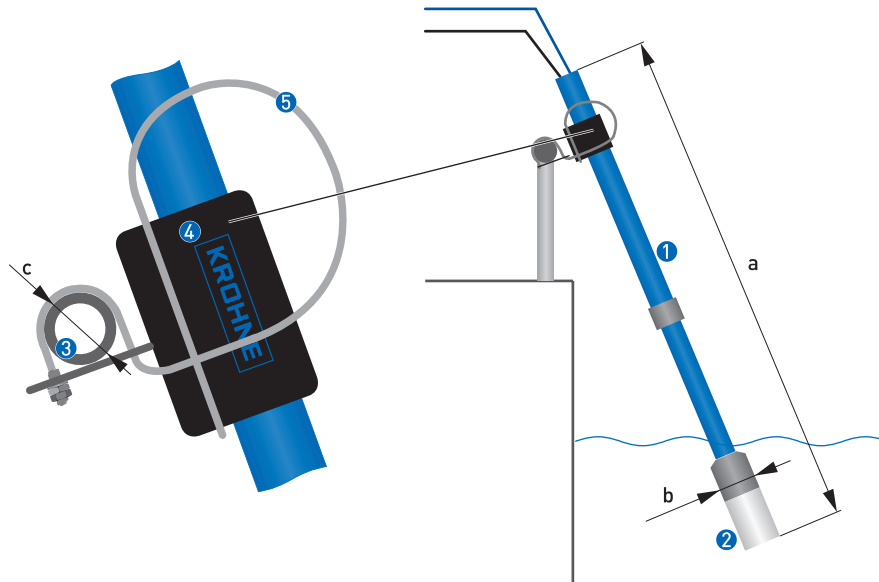
Sensor type	OPTISENS PAS 1000	OPTISENS AAS 1000 dissolved oxygen sensor	OPTISENS AAS 1000 free chlorine sensor
Installation conditions			
Sensor connection	G 1 ¼"	G 1 ¼"	–
Process connections	Welded sleeve DN 25/1"	Welded sleeve DN 25/1"	–
	Welded sleeve DN 50/2"	Welded sleeve DN 50/2"	–
	Flange DIN 25	Flange DIN 25	–
	Flange DIN 50	Flange DIN 50	–
	Flange ANSI 1"	Flange ANSI 1"	–
	Flange ANSI 2"	Flange ANSI 2"	–
Process pressure	16 bar	16 bar	–
Process temperature	-10...+140°C / +14...+284°F	-10...+140°C / +14...+284°F	–
Flow direction	180° or 90°	180° or 90°	–
Materials	Stainless steel	Stainless steel	–

OPTISENS MAA 1000 adapter

Sensor type	OPTISENS PAS 1000	OPTISENS AAS 1000 dissolved oxygen sensor	OPTISENS AAS 1000 free chlorine sensor
Installation conditions			
Sensor connection	PG 13.5	PG 13.5	–
Process connections	G 1 ¼" or NPT ¾"	G 1 ¼" or NPT ¾"	–
Process pressure	10 bar [20°C]	10 bar [20°C]	–
Process temperature	-10...+140°C / +14...+284°F	-10...+140°C / +14...+284°F	–
Materials	Stainless steel	Stainless steel	–

Dimensions & Weight

OPTISENS MAA 2000 Telescopic rod immersion holders



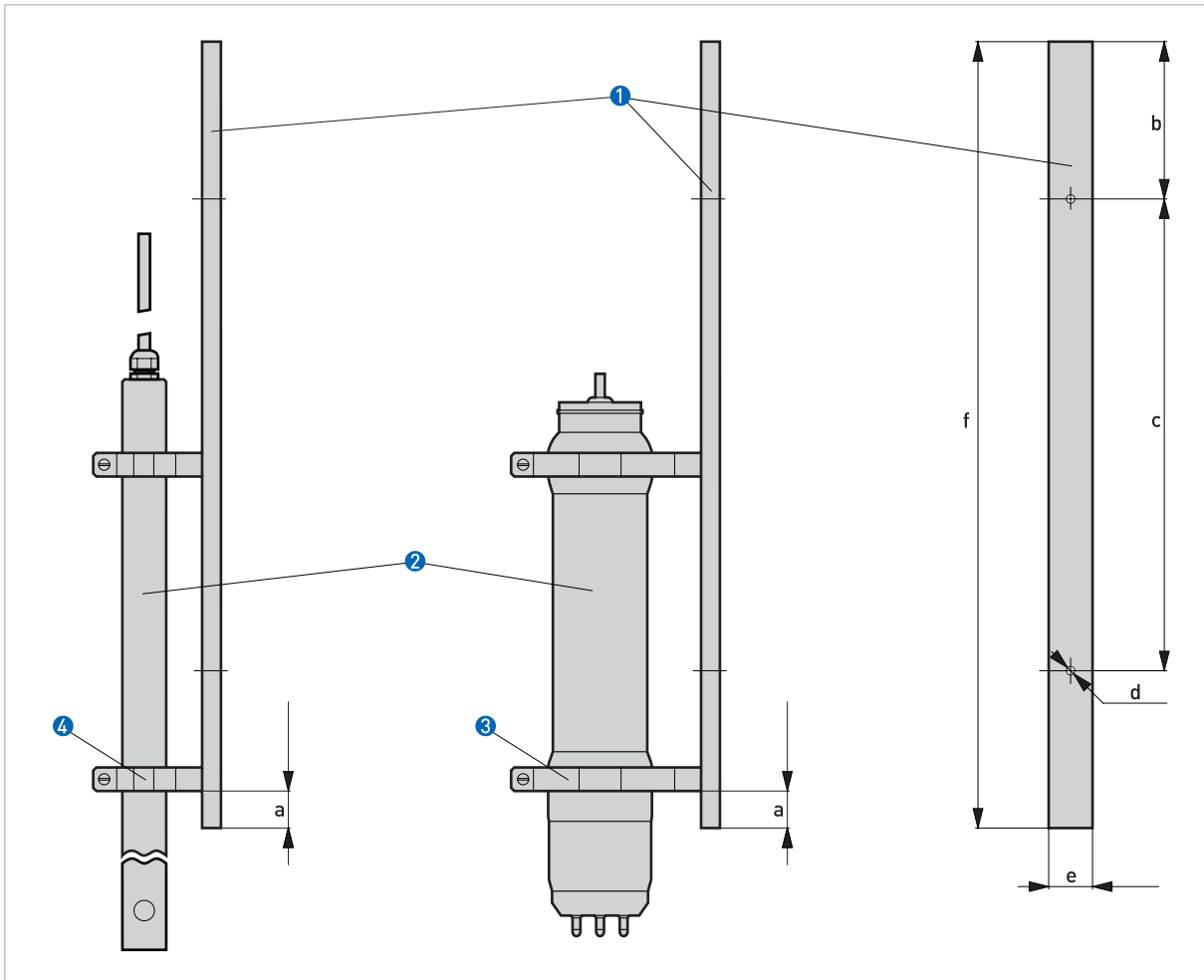
- 1 Telescopic rod
- 2 Sensor holder
- 3 Handrail with mounting bracket attached
- 4 Rod holder
- 5 Mounting bracket

	Dimensions [mm]	Dimensions [inches]
a	2700 or 4250 ①	106.3 or 167.3 ①
b	70 or 65	2.8 or 2.6
c (round handrail)	∅ 32...50	∅ 1.26...1.97
c (square handrail)	28...42	1.1...1.65

① Two versions available

	Weight [kg]	Weight [lbs]
Telescopic rod (2000 mm / 78.7")	1.7	3.7
Telescopic rod (4000 mm / 157.5")	1.2	2.6
Rod holder	1.1	2.4
Mounting bracket	1.7	3.7
Sensor holder	0.5	1.1

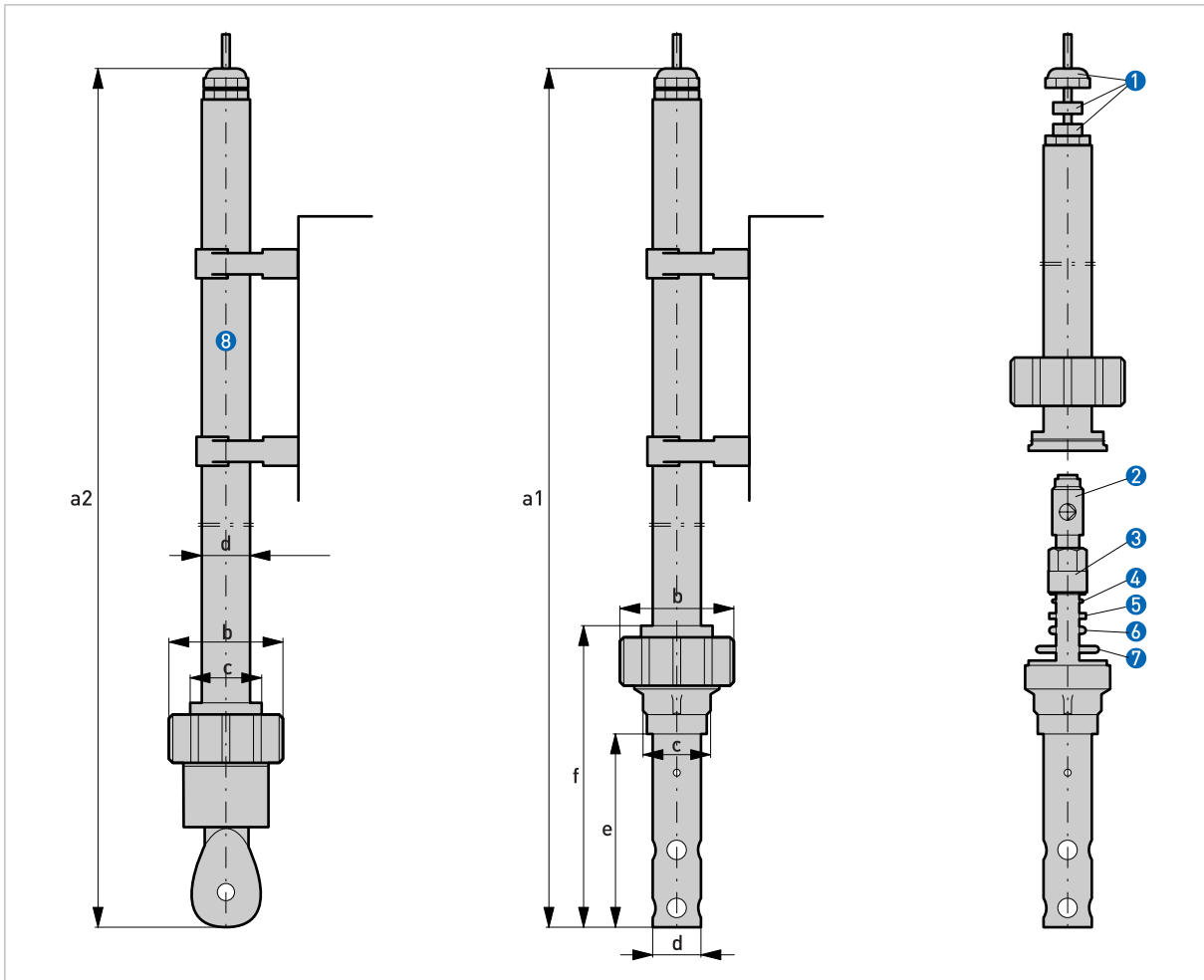
OPTISENS MAA 2000 Slide rail immersion holders



- 1 Slide rail
- 2 Sensor
- 3 66 mm / 2.60" clamp
- 4 28 mm / 1.10" clamp

	Dimensions [mm]	Dimensions [inches]
a	min. 24	min. 0.94
b	100	3.94
c	300	11.81
d	5.4	0.21
e	28	1.10
f	500	19.69
Weight	0.55 kg / 1.21 lbs	

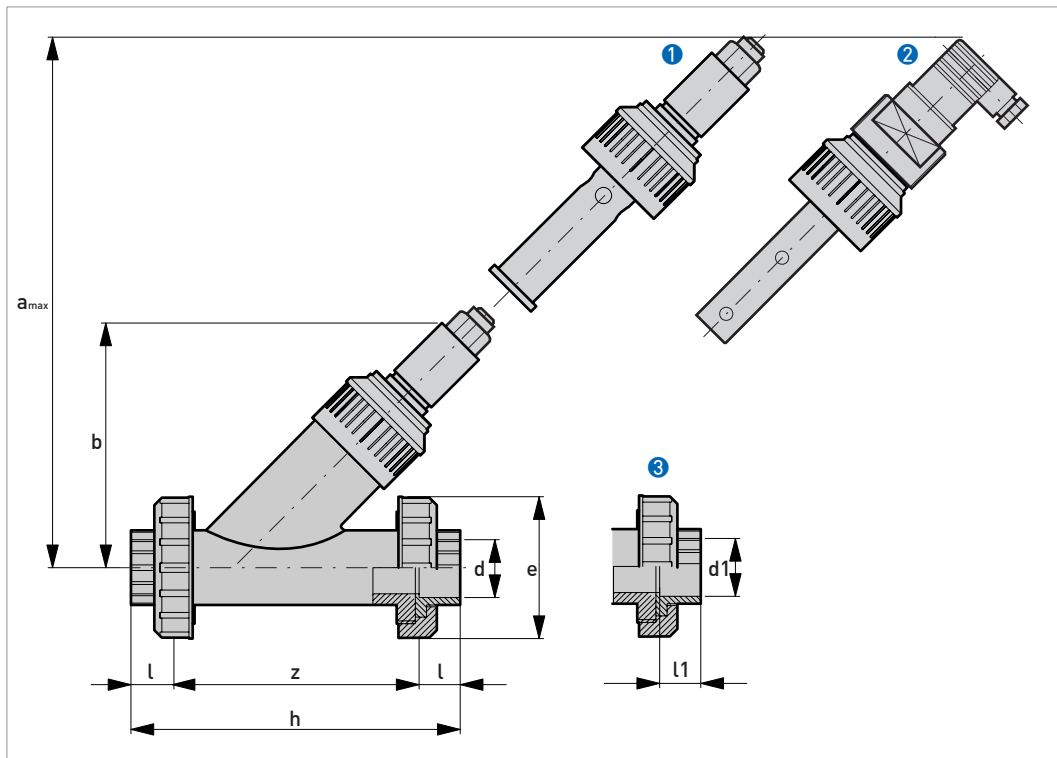
OPTISENS MAA 1000 immersion holders



- 1 PG13,5
- 2 Standard electrode
- 3 PG13,5 PP
- 4 O-Ring \varnothing 12 mm [0.47"] x \varnothing 1,5 mm [0.06"] EDPM
- 5 Washer \varnothing 18 mm [0.71"] x 3 mm [0.12"] PVC/PP
- 6 Gasket \varnothing 11 mm [0.43] x \varnothing 3 mm [0.12] EDPM
- 7 O-ring \varnothing 35,2 mm [1.39] x \varnothing 3,5 mm [0.14] EDPM
- 8 MAA 1000 immersion holder for IAS 1000

	Dimensions [mm]	Dimensions [inches]
a1	1030 (may be shortened)	40.55 (may be shortened)
a2	1000	39.37
b	\varnothing 59	2.32
c	\varnothing 37	1.46
d	\varnothing 25	0.98
e	100	3.94
f	160	6.30

OPTISENS MAA 1000 Flow through holder PP

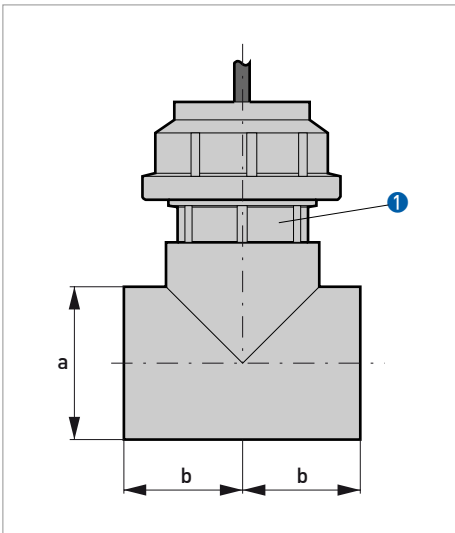


- 1 MAA 1000 for PAS/AAS 1000
- 2 MAA 1000 for CAS 1000
- 3 Screw fitting version

	d		d1	DN	b		a _{max}	
	[mm]	[inches]			[mm]	[inches]	[mm]	[inches]
MAA 1000 for PAS/AAS 1000	32	1.26	G1	25	130	5.12	165	6.50
MAA 1000 for CAS 1000	32	1.26	G1	25	100	3.94	160	6.30

	h		z		l		l1		e	
	[mm]	[inches]	[mm]	[inches]	[mm]	[inches]	[mm]	[inches]	[mm]	[inches]
Welded sleeve	178.5	7.03	142.5	5.61	22	0.87	–	–	75	2.95
Screw fitting	178.5	7.03	142.5	5.61	–	–	19.1	0.75	75	2.95

OPTISENS MAA 1000 Flow through holder PP for IAS 1000



1 G ½"

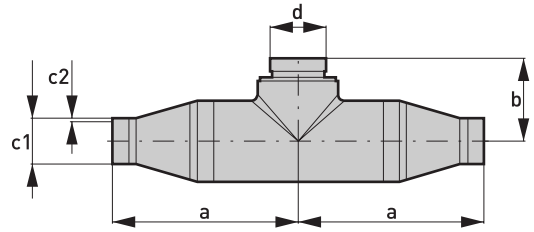
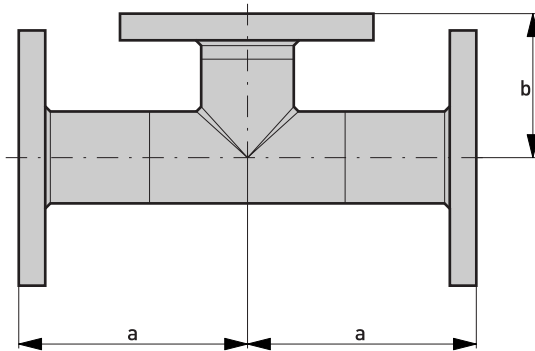
	Dimensions [mm]	Dimensions [inches]
a	Ø 66	Ø 2.6
b	51	2.0

OPTISENS MAA 1000 Flow through holder stainless steel

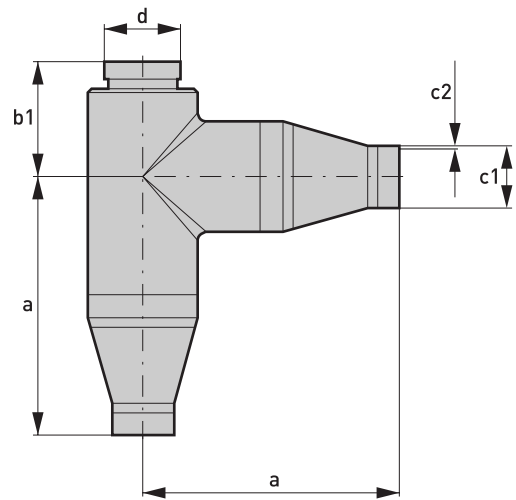
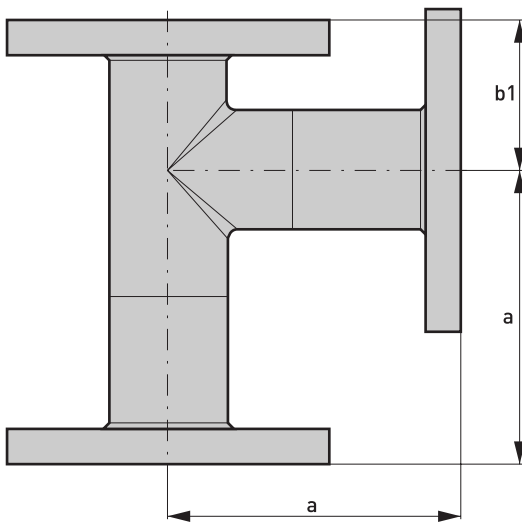
Process connection
flange

Process connection
welding pipe

180°

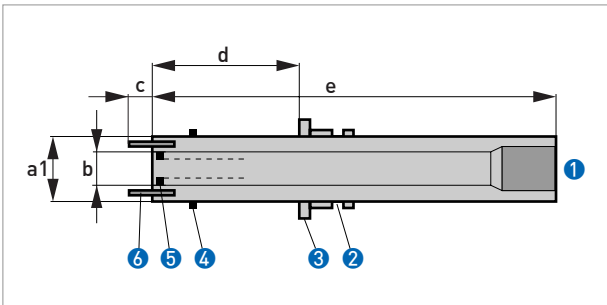


90°



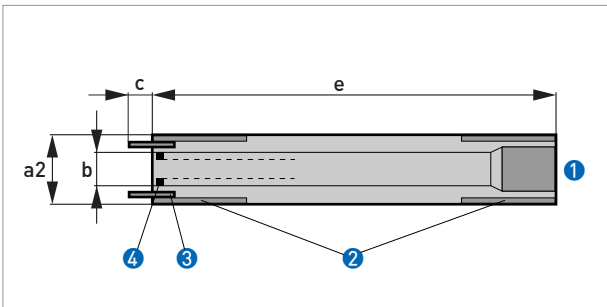
	Flange				Welding pipe			
	DN25 / ANSI 1"		DN50 / ANSI 2"		DN25 / 1"		DN50 / 2"	
	[mm]	[inches]	[mm]	[inches]	[mm]	[inches]	[mm]	[inches]
a	150	5.91	150	5.91	140	5.51	137	5.39
b	93	3.66	93	3.66	62	2.44	62	2.44
b1	77	3.03	77	3.03	62	2.44	62	2.44
c1	-	-	-	-	33.7	1.33	60.3	2.37
c2	-	-	-	-	2	0.08	2	0.08
d	G 1 1/4"				G 1 1/4"			

OPTISENS MAA 1000 adapter version 1 G 1 1/4"



- ① PG 13.5
- ② Slot for retaining ring
- ③ Collar for DN25 union nut
- ④ O-ring
- ⑤ O-ring
- ⑥ 4 Pins

OPTISENS MAA 1000 adapter version 2 "NPT 3/4"



- ① PG 13.5
- ② 3/4" MNPT
- ③ 4 Pins
- ④ O-ring

	Dimensions [mm]	Dimensions [inches]
a1	25	0.98
a2	27	1.06
b	13	0.51
c	15	0.59
d	42	1.65
e	110	4.33

Order structure

Order codes MAA 1000

	Material	Sensor Connection	Process Connection	Order Code
--	----------	-------------------	--------------------	------------

Insertion holder for OPTISENS 1000 Sensors

MAA 1000 insertion holder for PAS/AAS 1000	PP	1x PG 13,5	open channels	VGA V 4 12A1102
MAA 1000 Insertion holder for IAS 1000	PP	1x G ½"	open channels	VGA V 4 12D1102

Flow-Through Holder PP (straight) for OPTISENS 1000 Sensors

MAA 1000 Flow-Through Holder PAS/AAS 1000 (Thread)	PP	1x PG 13,5	G 1" female thread	VGA V 4 22AB102
MAA 1000 Flow-Through Holder PAS/AAS 1000 (Weld end)	PP	1x PG 13,5	d32 weld end	VGA V 4 22AA102
MAA 1000 Flow-Through Holder AAS 1000 Chlorine Sensor (Thread)	PP	1x PG 13,5 CL	G 1" female thread	VGA V 4 22BB102
MAA 1000 Flow-Through Holder AAS 1000 Chlorine Sensor (weld end)	PP	1x PG 13,5 CL	d32 weld end	VGA V 4 22BA102
MAA 1000 Flow-Through Holder CAS 1000 (Thread)	PP	1x G ¾" MNPT	G 1" female thread	VGA V 4 22CB102
MAA 1000 Flow-Through Holder CAS 1000 (weld end)	PP	1x G ¾" MNPT	d32 weld end	VGA V 4 22CA102
MAA 1000 Flow-Through Holder IAS 1000 (weld end)	PP	1x G ½"	DN 40 weld end	VGA V 4 22DK102

Flow-Through Holder Stainless Steel (straight) for OPTISENS 1000

MAA 1000 Flow-Through Holder PAS/AAS 1000 (weld end DN 25)	SS 1.4404	1x G 1 ¼" Adapter	DN 25 weld end	VGA V 4 24EC102
MAA 1000 Flow-Through Holder PAS/AAS 1000 (weld end DN 50)	SS 1.4404	1x G 1 ¼" Adapter	DN 50 weld end	VGA V 4 24ED102
MAA 1000 Flow-Through Holder PAS/AAS 1000 (Flange DIN 25)	SS 1.4404	1x G 1 ¼" Adapter	DIN 25 flange	VGA V 4 24EE102
MAA 1000 Flow-Through Holder PAS/AAS 1000 (Flange DIN 50)	SS 1.4404	1x G 1 ¼" Adapter	DIN 50 flange	VGA V 4 24EF102
MAA 1000 Flow-Through Holder PAS/AAS 1000 (Flange ANSI 1")	SS 1.4404	1x G 1 ¼" Adapter	ANSI 1" flange	VGA V 4 24EG102
MAA 1000 Flow-Through Holder PAS/AAS 1000 (Flange ANSI 2")	SS 1.4404	1x G 1 ¼" Adapter	ANSI 2" flange	VGA V 4 24EH102

Flow-Through Holder Stainless Steel (90°) for OPTISENS 1000

MAA 1000 Flow-Through Holder PAS/AAS 1000 (weld end DN 25)	SS 1.4404	1x G 1 ¼" Adapter	DN 25 weld end	VGA V 4 34EC102
MAA 1000 Flow-Through Holder PAS/AAS 1000 (weld end DN 50)	SS 1.4404	1x G 1 ¼" Adapter	DN 50 weld end	VGA V 4 34ED102
MAA 1000 Flow-Through Holder PAS/AAS 1000 (Flange DIN 25)	SS 1.4404	1x G 1 ¼" Adapter	DIN 25 flange	VGA V 4 34EE102

	Material	Sensor Connection	Process Connection	Order Code
MAA 1000 Flow-Through Holder PAS/AAS 1000 (Flange DIN 50)	SS 1.4404	1x G 1 1/4" Adapter	DIN 50 flange	VGA V 4 34EF102
MAA 1000 Flow-Through Holder PAS/AAS 1000 (Flange ANSI 1")	SS 1.4404	1x G 1 1/4" Adapter	ANSI 1" flange	VGA V 4 34EG102
MAA 1000 Flow-Through Holder PAS/AAS 1000 (Flange ANSI 2")	SS 1.4404	1x G 1 1/4" Adapter	ANSI 2" flange	VGA V 4 34EH102

Adapter

MAA 1000 adapter for OPTISENS 1000, G 1 1/4"	SS	PG 13,5	G 1 1/4"	VGA Z A 00020
MAA 1000 adapter for OPTISENS 1000, MNPT	SS	PG 13,5	3/4" MNPT	VGA Z A 00010

Order codes MAA 2000

	Material	Sensor Connection	Length	Order Code
--	----------	-------------------	--------	------------

Telescopic Rod with Hand Rail Mounting Bracket

MAA 2000 Insertion Holder, Teleskopisch Rod for OAS/AAS 2000 and PAM 2080	Fiber Glass	Halterung für AAS/OAS 2000 Sensor	1-4 m (variable)	VGA V 4 AA111B2
MAA 2000 Insertion Holder, Teleskopisch Rod for PAS 2000	Fiber Glass	Halterung für PAS 2000 Sensor	1-2,7 m (variable)	VGA V 4 AA211A2

Side Wall Mounting

MAA 2000 Side Wall Mounting for OAS/AAS 2000	Stainless Steel	Adapter for AAS/OAS 2000 Sensor		VGA V 4 A4110C2
MAA 2000 Side Wall Mounting for PAS 2000	Stainless Steel	Adapter for PAS 2000 Sensor		VGA V 4 A4210D2





KROHNE measuring technology - Product overview

- Electromagnetic flowmeters
- Variable area flowmeters
- Mass flowmeters
- Ultrasonic flowmeters
- Vortex flowmeters
- Flow controllers
- Level measuring instruments
- Temperature measuring instruments
- Pressure measuring instruments
- Analysis
- Oil and gas industry

Addresses:

Germany

Northern sales office

KROHNE Messtechnik GmbH & Co. KG
Bremer Str. 133
D-21073 Hamburg
Phone: +49 (0)40 767 3340
Fax: +49 (0)40 767 33412
nord@krohne.com
ZIP code: 10000 - 29999, 49000 - 49999

Western and middle sales office

KROHNE Messtechnik GmbH & Co. KG
Ludwig-Krohne-Straße
D-47058 Duisburg
Phone: +49 (0)203 301 4416
Fax: +49 (0)203 301 10416
west@krohne.com
ZIP code: 30000 - 34999, 37000 - 48000, 50000 - 53999, 57000 - 59999, 98000 - 99999

Southern sales office

KROHNE Messtechnik GmbH & Co. KG
Landsberger Str. 392
D-81241 Munich
Phone: +49 (0)89 121 5620
Fax: +49 (0)89 129 6190
sued@krohne.com
ZIP code: 0 - 9999, 80000 - 89999, 90000 - 97999

Southwestern sales office

KROHNE Messtechnik GmbH & Co. KG
Rüdesheimer Str. 40
D-65239 Hochheim/Main
Phone: +49 (0)6146 827 30
Fax: +49 (0)6146 827 312
rhein-main@krohne.com
ZIP code: 35000 - 36999, 54000 - 56999, 60000 - 79999

Instrumentation and control equipment catalog

TABLAR Messtechnik GmbH
Ludwig-Krohne-Str. 5
D-47058 Duisburg
Phone: +49 (0)2 03 305 880
Fax: +49 (0)2 03 305 888
kontakt@tablar.de; www.tablar.de

KROHNE sales companies

International

Australia

KROHNE Australia Pty Ltd
Quantum Business Park 10/287
Victoria Rd Rydalmere NSW 2116
Phone: +61 2 8846 1700
Fax: +61 2 8846 1755
krohne@krohne.com.au

Austria

KROHNE Gesellschaft m.b.H.
Modedcenterstraße 14
A-1030 Vienna
Phone: +43 (0)1/203 45 32
Fax: +43 (0)1/203 45 32 99
info@krohne.at

Belgium

KROHNE Belgium N.V.
Brusselsstraat 320
B-1702 Groot Bijgaarden
Phone: +32 (0)2 4 66 00 10
Fax: +32 (0)2 4 66 08 00
krohne@krohne.be

Brazil

KROHNE Conaut Controles
Automaticos Ltda.
Estrada Das Águas Espraiadas, 230
C.P. 56 06835 - 080 EMBU - SP
Phone: +55 (0)11-4785-2700
Fax: +55 (0)11 4785-2768
conaut@conaut.com.br

China

KROHNE Measurement Instruments
(Shanghai) Co. Ltd., [KMIC]
9th Floor, Xujiahui International
Building

1033 Zhaohjiabang Road
Shanghai 200030
Phone: +86 21 6487 9611
Fax: +86 21 6438 7110
info@krohne-asia.com

Czech Republic

Krohne CZ, spol. s r.o.
Soběsická 156
63800 Brno
Phone: +420 (0)545.242 627
Fax: +420 (0)545 220 093
brno@krohne.cz

France

KROHNE S.A.S.
Les Ors BP 98
F-26103 ROMANS Cedex
Phone: +33 (0)4 75 05 44 00
Fax: +33 (0)4 75 05 00 48
info@krohne.fr

Great Britain

KROHNE Ltd.
Rutherford Drive
Park Farm Industrial Estate
Wellingborough
Northants NN8 6AE
Phone: +44 (0)19 33 408 500
Fax: +44 (0)19 33 408 501
info@krohne.co.uk

CIS

Kanex KROHNE Engineering AG
Business Centre "POLLARS", office
164
Derbenevskaya nab., 11-B
113114 Moscow/Russia
Tel. / Fax: +7 (0)495 913-68-41
Tel. / Fax: +7 (0)495 913-68-42
Tel. / Fax: +7 (0)495 913-68-43
Tel. / Fax: +7 (0)495 913-68-44
krohne@krohne.ru

India

Krohne Marshall Ltd.
A-34/35, M.I.D.C. Industrial Area,
H-Block
Pimpri Poona 411018
Phone: +91 (0)202 744 2020
Fax: +91 (0)202 744 2020
pcu@vsnl.net

Iran

KROHNE Liaison Office
North Sohevardi Ave. 26,
Sarmad St., Apt. #9
Tehran 15539
Phone: +9821 8874 5973
Fax: +9821 8850 1268
krohne@krohneiran.com

Italy

KROHNE Italia Srl.
Via V. Monti 75
I-20145 Milan
Phone: +39 02 4300 661
Fax: +39 02 4300 6666
info@krohne.it

Korea

KROHNE Korea
Room 508 Miwon Bldg 43
Yoido-Dong Youngdeungpo-Ku
Seoul, Korea
Phone: 00-82-2-782-1900
Fax: 00-82-2-780-1749
mail@krohne.co.kr

Netherlands

KROHNE Nederland B.V.
Kerkeplaat 14
NL-3313 LC Dordrecht
Phone: +31 (0)78 630 6200
Fax: +31 (0)78 630 6405
Service Direct: +31 (0)78 630 6222
info@krohne.nl

Norway

KROHNE Norway A.S.
Ekholtveien 114
NO-1521 Moss
Phone: +47 (0)69 264 860
Fax: +47 (0)69 267 333
postmaster@krohne.no

Poland

KROHNE Polska Sp.z.o.o.
ul. Stary Rynek Oliwski 8a
80-324 Gdansk
Phone: +48 (0)58 520 9211
Fax: +48 (0)58 520 9212
info@krohne.pl

Switzerland

KROHNE AG
Uferstr. 90
CH-4019 Basel
Phone: +41 (0)61 638 30 30
Fax: +41 (0)61 638 30 40
info@krohne.ch

Singapore

Tokyo Keiso - KROHNE (Singapore)
Pte. Ltd.
14, International Business Park,
Jurong East
Chiyoda Building, #01-01/02
Singapore 609922
Phone: (65) 6567 4548
Fax: (65) 6567 9874
tks@tokyokeiso-krohne.com.sg

Republic of South Africa

KROHNE Pty. Ltd.
Bushbock Close
Corporate Park South
Midrand, Gauteng
P.O. Box 2049
Midrand, 1685
Tel.: +27 (0)11 314 1391
Fax: +27 (0)11 314 1681
midrand@krohne.co.za

Spain

I.I. KROHNE IBERIA, S.r.l.
Poligono Industrial Nilo
Calle Brasil, nº. 5
28806 Alcalá de Henares Madrid
Phone: +34 (0)91 883 2152
Fax: +34 (0)91 883 4854
krohne@krohne.es

USA

KROHNE, Inc.
7 Dearborn Road
Peabody, MA 01960
Phone: +1 (800) FLOWING
Phone: +1 (978) 535 6060 (in MA)
info@krohne.com

Representatives

Algeria
Argentina
Cameroon
Canada
Chile
Columbia
Croatia
Denmark
Ecuador
Egypt
Finland
Gabon
Ghana
Greece
Hong Kong
Hungary
Indonesia
Iran
Ireland
Israel
Ivory Coast
Japan
Jordan
Kuwait
Libya
Lithuania
Malaysia
Mauritius
Mexico
Morocco
New Zealand
Peru
Portugal
Romania
Saudi Arabia
Senegal
Slovakia
Slovenia
Sweden
Taiwan
Thailand
Tunisia
Turkey
Venezuela
Yugoslavia

Other countries

KROHNE Messtechnik GmbH & Co. KG
Ludwig-Krohne-Str. 5
D-47058 Duisburg
Phone: +49 (0)203 301 0
Fax: +49 (0)203 301 389
export@krohne.com